

STS - TOPSIDE BOLT TENSIONERS - IMPERIAL RANGE



Capacities from 234 to 2649 kN

Working pressure 1500 Bar

Single acting design

- >> Nitrocarburised piston
- >> Maximum piston stroke indicator
- >> Suitable for single or multi-tensioning applications
- >> Specially designed tensioners available on request (see page 110)
- >> User friendly operating and maintenance procedure
- >> Choice of manually operated or air powered pumps available (see page 115)



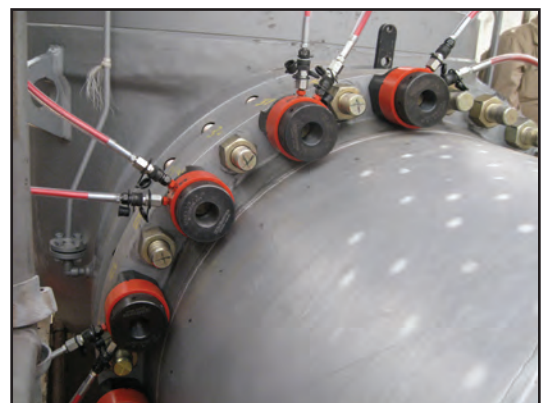
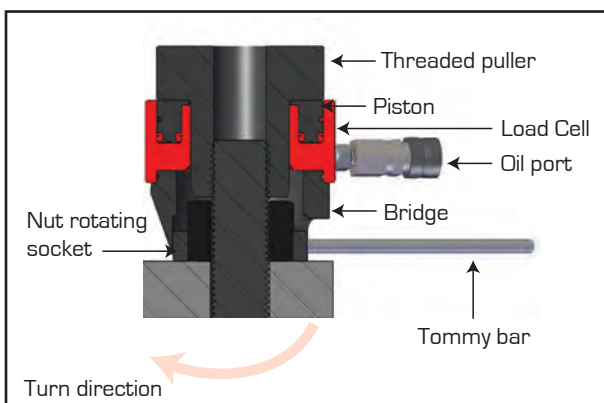
G

The STS imperial bolt tensioner range is designed for topside operation in a wide variety of applications including pipeline flanges, heat exchangers, pressure vessels, compressor covers, boiler feed pumps, anchor bolts and many others. The range comprises of 26 imperial size options ranging from 3/4" to 4" thread size and all models are suitable for working pressures up to 1500 Bar. Each model of hydraulic tensioning cylinder within the tensioner range can be operated with a variety of threaded pullers and nut rotating sockets ensuring that the maximum possible range of bolt sizes can be accommodated using the minimum number of hydraulic cylinders. Threaded pullers, bridges and nut rotating sockets are available as individual components (see pages 104 & 105 for detailed information).

All Hi-Force hydraulic bolt tensioners are designed and manufactured to include a wear coated piston, maximum piston stroke indicator, self-energising high pressure seals, dual quick connect couplings for easy multiple tensioner connection and a user friendly operation and maintenance procedure. Suitable manual and air driven hydraulic pumps, high pressure hoses and couplings for use with Hi-Force bolt tensioners are detailed on pages 115 & 116.



The STS range of tensioners are push back type tensioners. For spring return tensioners, see pages 94-97 of this catalogue.



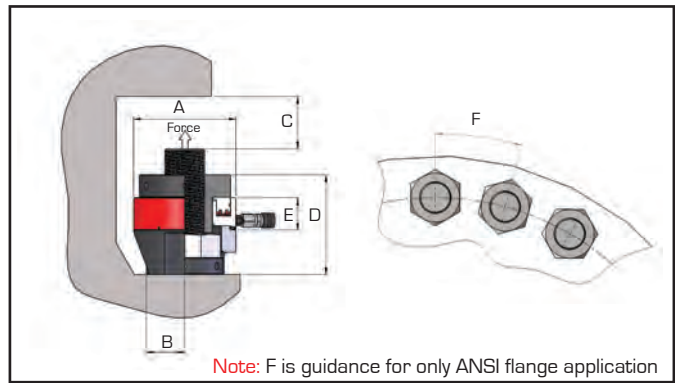
STS - TOPSIDE BOLT TENSIONERS - IMPERIAL RANGE



Bolt sizes from 3/4" to 4"

Modular design for optimum versatility

Dual quick connect couplings for easy connection



Model number	Bolt thread size	Threads per inch	Capacity kN	Capacity tonnes	Effective area cm ²	Stroke mm	Weight kg
STS1-075B1	3/4"	10	234	23.9	15.6	10	1.7
STS1-087B1	7/8"	9	234	23.9	15.6	10	1.7
STS1-100B2	1"	8	234	23.9	15.6	10	1.7
STS1-112B2	1 1/8"	8	234	23.9	15.6	10	1.7
STS2-125B1	1 1/4"	8	457	46.6	30.5	15	3.5
STS2-137B1	1 3/8"	8	457	46.6	30.5	15	3.5
STS2-150B1	1 1/2"	8	457	46.6	30.5	15	3.5
STS3-162B1	1 5/8"	8	822	83.8	54.8	15	6.1
STS3-175B1	1 3/4"	8	822	83.8	54.8	15	6.1
STS3-175B2	1 3/4"	8	822	83.8	54.8	15	6.1
STS3-187B1	1 7/8"	8	822	83.8	54.8	15	6.1
STS3-187B2	1 7/8"	8	822	83.8	54.8	15	6.1
STS3-200B2	2"	8	822	83.8	54.8	15	6.1
STS4-187B1	1 7/8"	8	1264	128.9	84.3	15	10.6
STS4-200B1	2"	8	1264	128.9	84.3	15	10.6
STS4-200B2	2"	8	1264	128.9	84.3	15	10.6
STS4-225B2	2 1/4"	8	1264	128.9	84.3	15	10.6
STS4-250B2	2 1/2"	8	1264	128.9	84.3	15	10.6
STS5-250B1	2 1/2"	8	1833	186.9	122.2	15	16.0
STS5-275B1	2 3/4"	8	1833	186.9	122.2	15	16.0
STS5-300B1	3"	8	1833	186.9	122.2	15	16.0
STS6-300B1	3"	8	2649	270.0	176.6	15	23.5
STS6-325B1	3 1/4"	8	2649	270.0	176.6	15	23.5
STS6-350B1	3 1/2"	8	2649	270.0	176.6	15	23.5
STS6-375B3	3 3/4"	8	2649	270.0	176.6	15	23.5
STS6-400B3	4"	8	2649	270.0	176.6	15	23.5

Dimensions in mm					
A	B	C min	D	E	F
74	28	74	90	45	51
74	28	74	90	45	54
74	30	80	98	45	61
74	30	80	98	45	64
102	39	103	128	54	74
102	39	103	128	54	77
102	39	103	128	54	80
133	47	115	150	56	92
133	47	115	150	56	93
133	50	117	155	56	104
133	47	115	150	56	97
133	50	117	155	56	104
133	50	117	155	56	104
163	50	119	149	57	104
163	50	119	149	57	104
163	62	119	149	57	106
163	62	135	165	57	121
163	62	135	165	57	127
193	73	145	187	60	134
193	73	145	187	60	140
193	73	145	187	60	147
233	84	178	216	64	161
233	84	178	216	64	167
233	84	178	216	64	172
233	105	205	257	64	191
233	105	205	257	64	196

Note: Weight is for load cell and bridge only. Total weight of complete assembly depends on size of puller and nut rotating socket selected. Tommy bars are not included. Hi-Force recommends one tommy bar for every four tensioners, please see page 105 column B for ordering code.