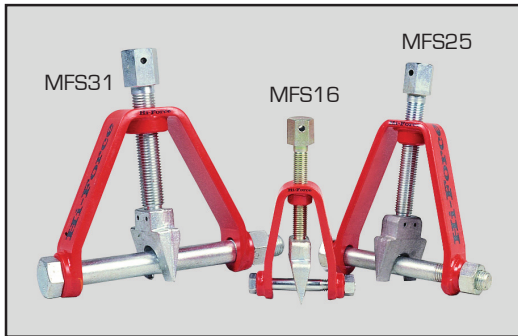


MFS - MECHANICAL FLANGE SPREADERS



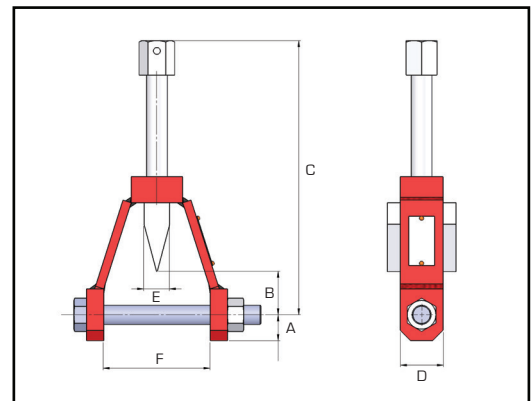
Suitable for bolt diameters up to 31mm

Maximum spread 231mm

No external power source required

The MFS range of mechanical flange spreaders comprises of 6 models, each offering a safe and economical way to open flanges without the risk of sparks. The threaded spindle can be operated using a standard spanner, allowing the user to apply a controlled force without damaging the flange. Due to the mechanical design of these flange spreaders, no external power source is needed and therefore, they can be used anywhere on-site.

- >> Choice of six models available
- >> High grade steel construction with high tensile cross bolt
- >> Case hardened spreading wedge



Model number	Pin diameter		Min flange bolt hole diameter	Maximum flange thickness		Weight kg	Dimensions in mm						
	mm	inch		mm	inch		A	B max.	C min.	C max.	D	E	F
MFS16	16	5/8"	17	2 x 22	2 x 7/8"	2.2	25	28	185	232	40	25	70
MFS19	19	3/4"	20	2 x 35	2 x 1 3/8"	2.7	30	50	185	254	50	25	95
MFS22	22	7/8"	23	2 x 47	2 x 1 13/16"	4.1	30	50	247	318	50	30	124
MFS25	25	1"	26	2 x 62	2 x 2 7/16"	6.4	30	85	247	353	50	30	155
MFS28	28	1 1/8"	29	2 x 70	2 x 2 3/4"	8.2	30	80	275	382	60	40	181
MFS31	31	1 1/4"	32	2 x 95	2 x 3 3/4"	9.6	32	84	275	385	60	40	231

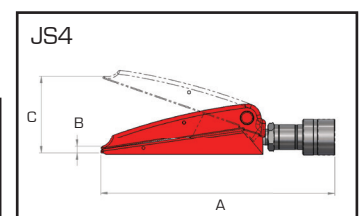
JS - JAW SPREADER



The JS4 hydraulic spreader is the ideal solution for spreading, wedging and prising operations in a wide variety of industrial applications. The compact, low weight, spring assisted return design enables the tool to fit into a gap of 13mm and offers a maximum spread of 84mm. Manufactured from high strength steel, with a maximum pressure of 700 Bar, the JS4 is supplied fitted with a quick connect female half coupler, and can be used with HP110 manual hand pump and HC hose.

Model number	Capacity tonnes	Oil capacity cm ³	Weight kg
JS4	0.9	10.0	2.2

Dimensions in mm		
A	B	C
234	13	84



K