

## HEP3 - ELECTRIC DRIVEN PUMPS - GENERAL DUTY HIGH FLOW

C

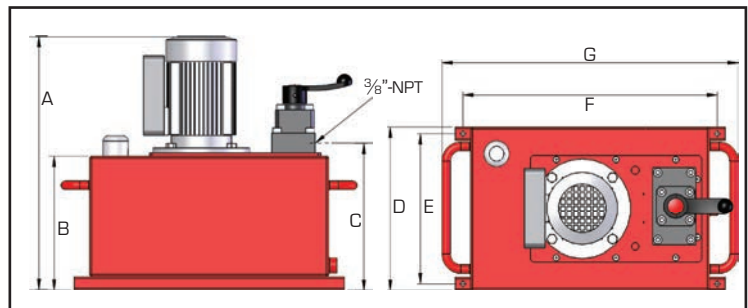


Low pressure flow rate 10 ltr/min. up to 70 Bar

High pressure flow rate 1 ltr/min. up to 700 Bar

Two stage hydraulic pump unit

- >> Externally adjustable pressure relief valve
- >> Manual valve with load holding feature fitted as standard (excl. 2-way valves)
- >> Solenoid valve options available



Model number	Valve type	Oil cap. litres	Motor kW	Motor voltage	Weight kg
HEP310121	P-T Plate	25	2.2	110 / 115 V - 1Ph	63.5
HEP310122	P-T Plate	25	2.2	220 / 240 V - 1Ph	63.5
HEP310124	P-T Plate	25	2.2	380 / 440 V - 3Ph	63.5
HEP310141	P-T Plate	40	2.2	110 / 115 V - 1Ph	88.5
HEP310142	P-T Plate	40	2.2	220 / 240 V - 1Ph	88.5
HEP310144	P-T Plate	40	2.2	380 / 440 V - 3Ph	88.5
HEP310221	2-way	25	2.2	110 / 115 V - 1Ph	64.0
HEP310222	2-way	25	2.2	220 / 240 V - 1Ph	64.0
HEP310224	2-way	25	2.2	380 / 440 V - 3Ph	64.0
HEP310241	2-way	40	2.2	110 / 115 V - 1Ph	89.0
HEP310242	2-way	40	2.2	220 / 240 V - 1Ph	89.0
HEP310244	2-way	40	2.2	380 / 440 V - 3Ph	89.0
HEP310321	3-way	25	2.2	110 / 115 V - 1Ph	64.0
HEP310322	3-way	25	2.2	220 / 240 V - 1Ph	64.0
HEP310324	3-way	25	2.2	380 / 440 V - 3Ph	64.0
HEP310341	3-way	40	2.2	110 / 115 V - 1Ph	89.0
HEP310342	3-way	40	2.2	220 / 240 V - 1Ph	89.0
HEP310344	3-way	40	2.2	380 / 440 V - 3Ph	89.0
HEP310421	4-way	25	2.2	110 / 115 V - 1Ph	64.0
HEP310422	4-way	25	2.2	220 / 240 V - 1Ph	64.0
HEP310424	4-way	25	2.2	380 / 440 V - 3Ph	64.0
HEP310441	4-way	40	2.2	110 / 115 V - 1Ph	89.0
HEP310442	4-way	40	2.2	220 / 240 V - 1Ph	89.0
HEP310444	4-way	40	2.2	380 / 440 V - 3Ph	89.0

Dimensions in mm						
A	B	C	D	E	F	G
527	227	259	306	281	490	570
527	227	259	306	281	490	570
527	227	259	306	281	490	570
636	336	368	306	281	490	560
636	336	368	306	281	490	560
636	336	368	306	281	490	560
527	227	259	306	281	490	570
527	227	259	306	281	490	570
527	227	259	306	281	490	570
636	336	368	306	281	490	560
636	336	368	306	281	490	560
636	336	368	306	281	490	560
527	227	259	306	281	490	570
527	227	259	306	281	490	570
527	227	259	306	281	490	570
636	336	368	306	281	490	560
636	336	368	306	281	490	560
636	336	368	306	281	490	560

Note: For optional extras please see page 50